

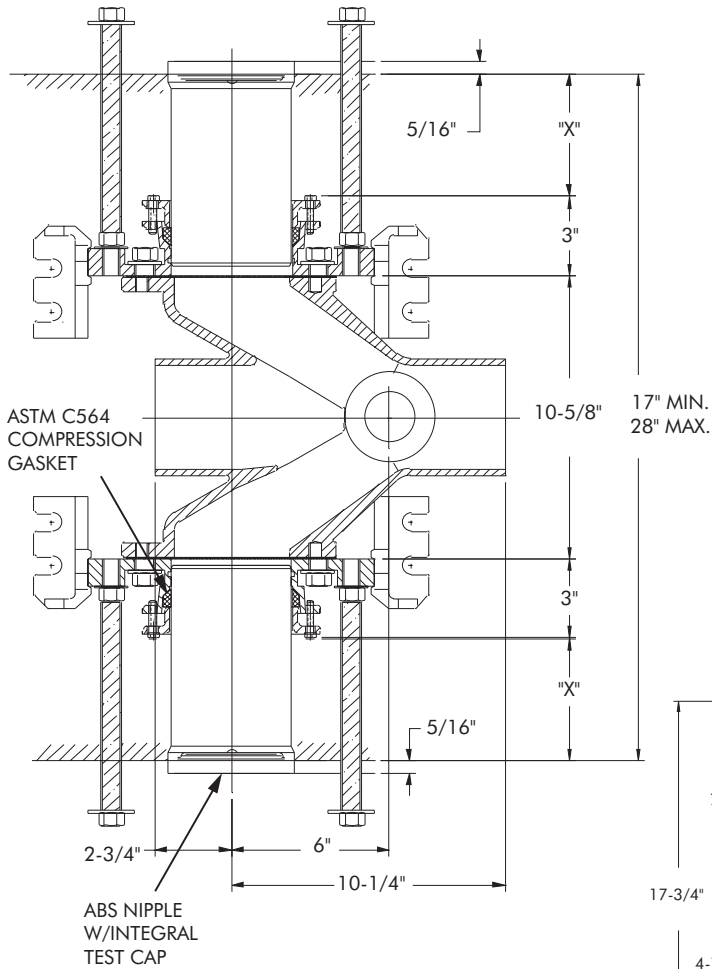


ISCA-101-D

Tag: _____

Industry Standard Back-To-Back Horizontal Adjustable Closet Carrier

SPECIFICATION: Watts Drainage Products ISCA-101-D *Industry Standard* back-to-back horizontal adjustable water closet carrier with epoxy coated cast iron fitting, 4"(102) no hub waste and 2"(51) no hub vent connections, epoxy coated cast iron patent pending compression seal faceplate assembly, epoxy coated cast iron foot supports adjustable for standard and wheelchair height, adjustable ABS nipple with integral test cap and neoprene bowl gasket, plated hardware and chrome cap nuts.

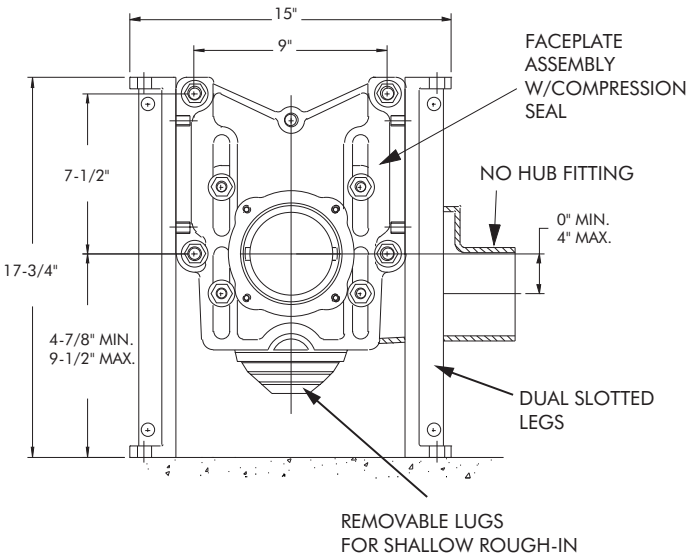


Options (Select One or More)		
Suffix	Description	
-36	36" Long Barrel Fitting	<input type="checkbox"/>
CA-100-EXT	Aux. Support System w/Extended Nipple	<input type="checkbox"/>
-M1	ABS Extended Nipple (Up to 24")	<input type="checkbox"/>
-M11	Tiling Frame	<input type="checkbox"/>
-M20	Flush Valve Support	<input type="checkbox"/>

Notes:
Siphon jet (4 bolt) arrangement shown. Invert faceplate assembly for blow-out (3 bolt) bowls.

Anchor legs to concrete floor with minimum 1/2" lag bolts (by others).

X = 5-3/4" Maximum with Standard Nipple



Job Name _____ Contractor _____
 Job Location _____ Contractor's P.O. No. _____
 Engineer _____ Representative _____

WATTS Drainage reserves the right to modify or change product design or construction without prior notice and without incurring any obligation to make similar changes and modifications to products previously or subsequently sold. See your WATTS Drainage representative for any clarification. Dimensions are subject to manufacturing tolerances.



USA: 100 Watts Road, Spindale, NC, 28160 TEL: 828-288-2179 TOLL-FREE: 1-800-338-2581 Website: www.wattsdrainage.com